

**TIMKEN****The Timken Company**

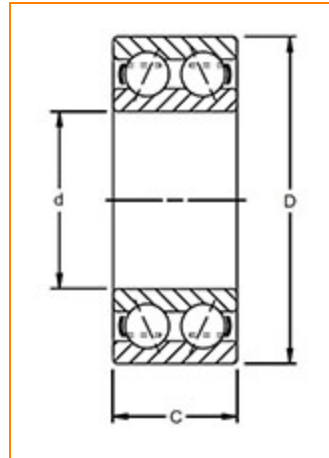
4500 Mt Pleasant St. NW

N. Canton, OH 44720

Phone: (234) 262-3000

E-Mail: [CustomerCAD@timken.com](mailto:CustomerCAD@timken.com) • Web site: [www.timken.com](http://www.timken.com)

Part Number 3201 ATN1/2RS, Timken® Double Row Angular Contact Ball Bearings (3200, 3300)



[Dimensions](#) | [Specifications](#) | [Basic Load Ratings](#) | [Abutment and Fillet Dimensions](#)

### Dimensions

|                    |                       |
|--------------------|-----------------------|
| d - Bore           | 12.00 mm<br>0.4724 in |
| D - Outer Diameter | 32.00 mm<br>1.2598 in |
| C - Ring Width     | 15.9 mm<br>0.6260 in  |
| Contact Angle      | 30 °                  |

### Specifications

|           |               |
|-----------|---------------|
| Features  | Contact Seals |
| Ball Type | STEEL         |



|                |                     |
|----------------|---------------------|
| Cage Type      | Molded              |
| Cage Material  | Nylon               |
| Bearing Weight | 0.06 Kg<br>0.128 lb |
| Design Units   | METRIC              |

### Basic Load Ratings

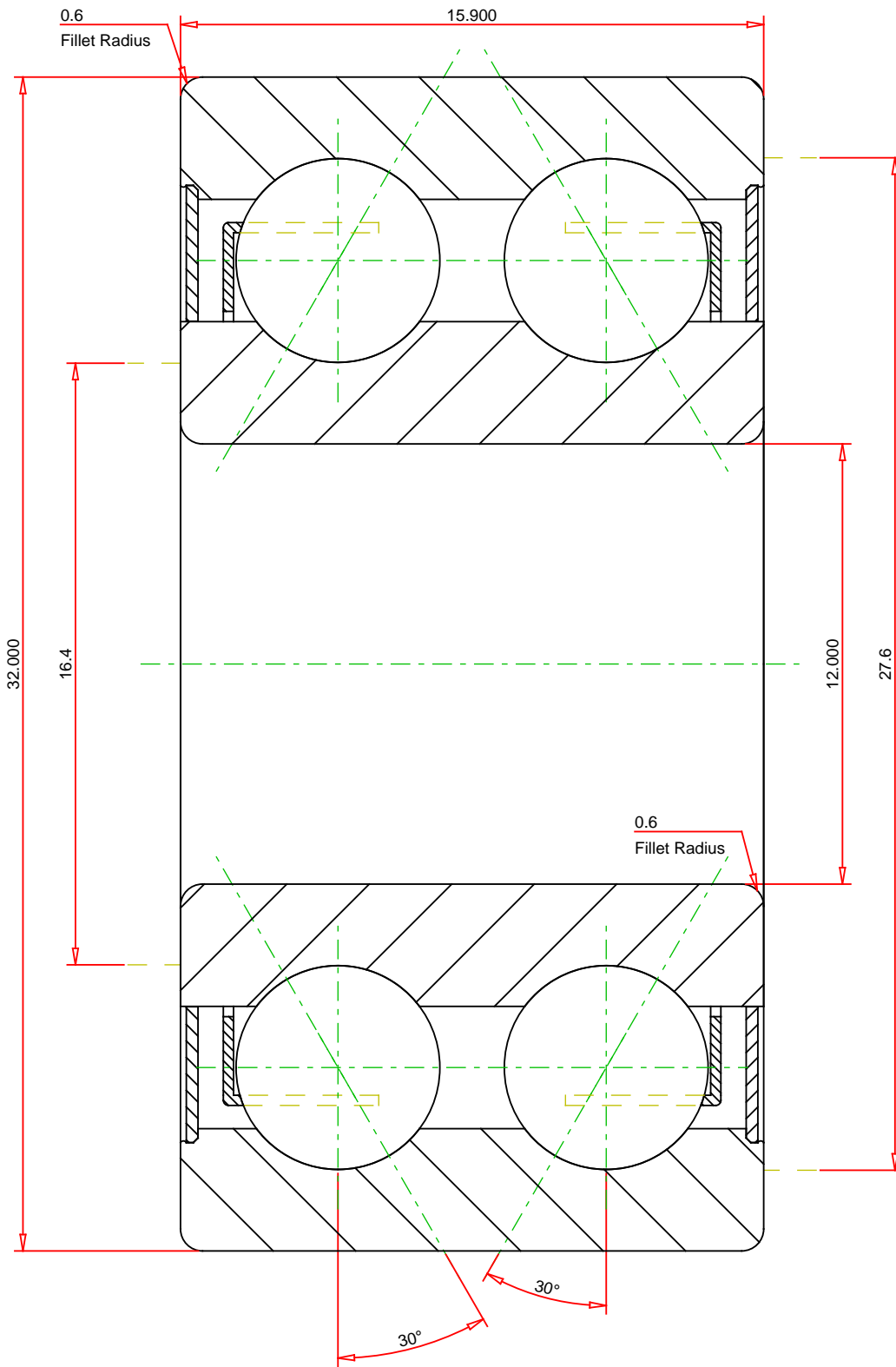
|                                |                    |
|--------------------------------|--------------------|
| C0 - Static Radial Rating      | 5200 N<br>1169 lbf |
| C1 ISO - Dynamic Radial Rating | 9400 N<br>2113 lbf |

### Abutment and Fillet Dimensions

|   |                     |
|---|---------------------|
| R - Inner Ring "To Clear" Radius <sup>1</sup> | 0.60 mm<br>0.024 in |
| r - Outer Ring "To Clear" Radius <sup>2</sup> | 0.60 mm<br>0.024 in |
| da - Inner Ring Backing Diameter              | 16.4 mm<br>0.646 in |
| Da - Outer Ring Backing Diameter              | 27.6 mm<br>1.087 in |

<sup>1</sup> Maximum housing fillet radius that bearing corners will clear.

<sup>2</sup> Maximum shaft fillet radius that bearing corners will clear.



**METRIC UNITS**

|                         |          |
|-------------------------|----------|
| Number of Balls Per Row | 7        |
| Bearing Weight          | 0.060 kg |

**TIMKEN**®

---

**THE TIMKEN COMPANY**  
NORTH CANTON, OHIO USA

|   |        |
|---|--------|
| <b>3201 ATN1/2RS</b>  |        |
| Timken® Double Row Angular Contact Ball Bearings (3200, 3300) |        |
| Dynamic Load Rating   | 9400 N |
| Static Load Rating  | 5200 N |

Every reasonable effort has been made to ensure the accuracy of the information contained in this writing, but no liability is accepted for errors, omissions or for any other reason.

**FOR DISCUSSION ONLY**